

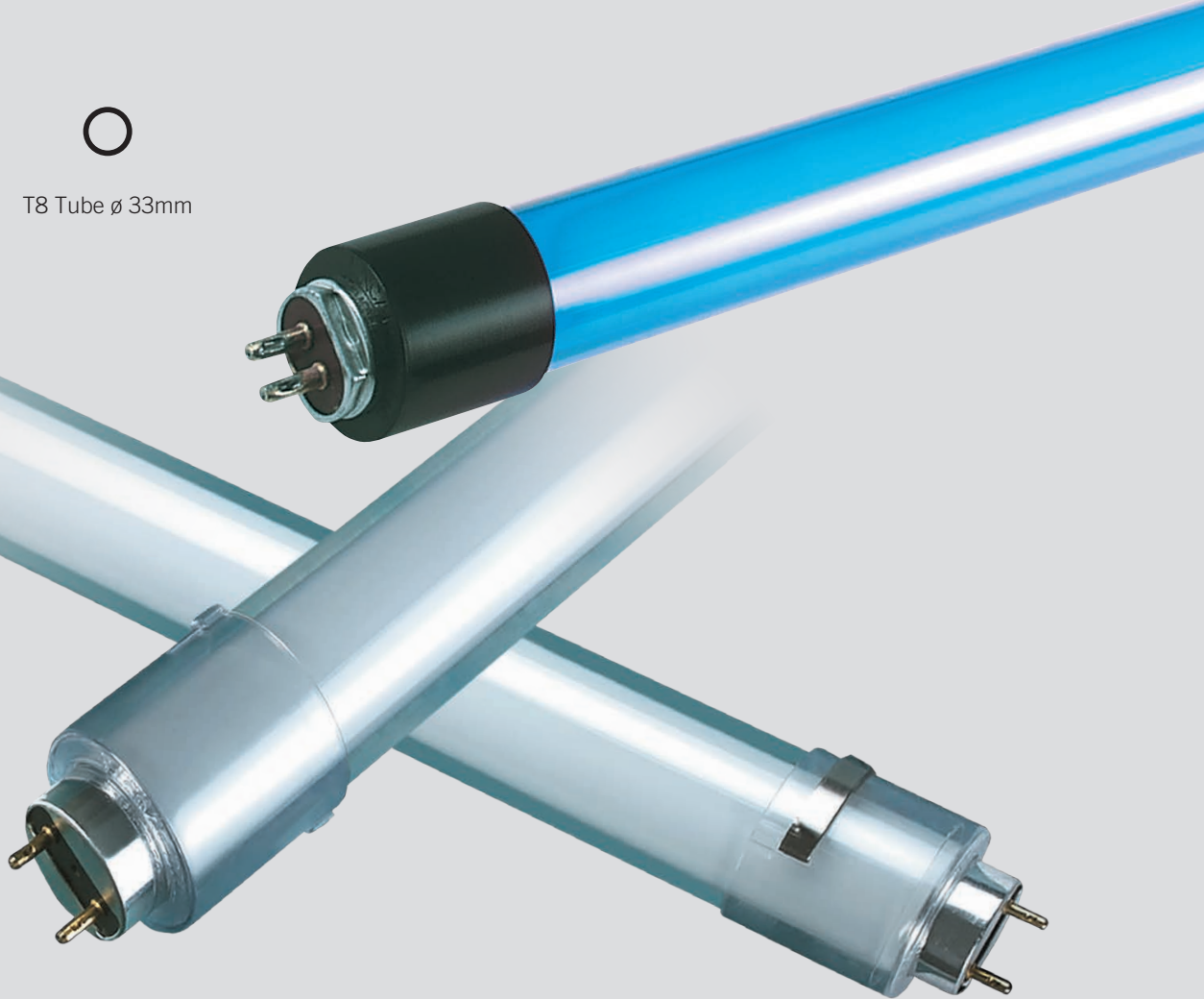
T5 / T8 Safety and coloured sleeves sleeves



T5 Tube \varnothing 20mm



T8 Tube \varnothing 33mm

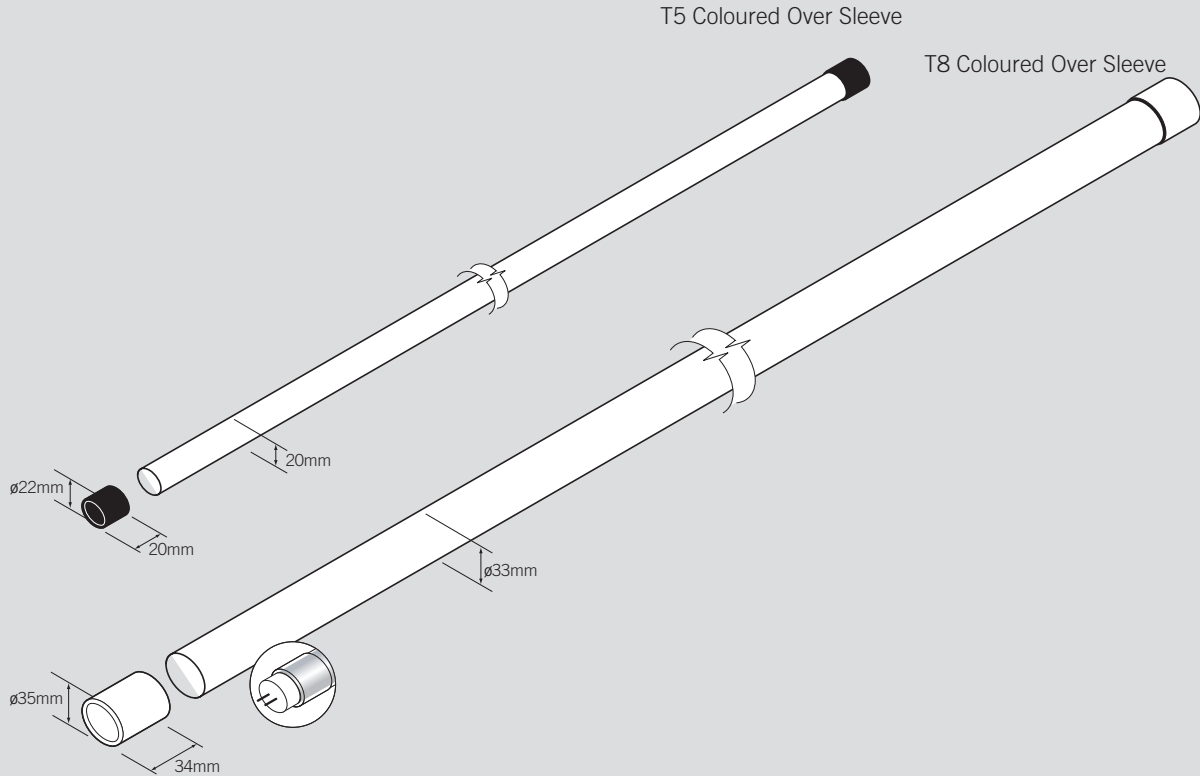


Clear and coloured over sleeves to suit linear fluorescent tubes.

Used widely in the entertainment and retail industry as well as the food and associated industries for the clear sleeve.



T5 / T8 Safety and coloured sleeves sleeves



COLOUR

T5 COLOURED OVER SLEEVE

PART No	LENGTH mm
COS T5 6w	230
COS T5 8w	300
COS T5 13w	525
COS T5 14w	549
COS T5 21w	849
COS T5 28w	1149
COS T5 35w	1449

T8 COLOURED OVER SLEEVE

PART No	LENGTH mm
COS T8 15w	450
COS T8 18w	600
COS T8 30w	900
COS T8 38w	1050
COS T8 36w	1200
COS T8 58w	1500
COS T8 70w	1800

CLEAR

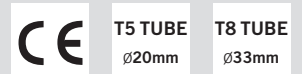
T5 CLEAR OVER SLEEVE

PART No	LENGTH mm
CLRE T5 8w	230
CLRE T5 14w	549
CLRE T5 21w	849
CLRE T5 28w	1149
CLRE T5 35w	1449

T8 CLEAR OVER SLEEVE

PART No	LENGTH mm
CLRO T8 15w	450
CLRO T8 18w	600
CLRO T8 30w	900
CLRO T8 36w	1200
CLRO T8 58w	1500
CLRO T8 70w	1800

Please Note: Do not use or clean with chemicals. Not for use submerged in water.



For further information or options, call +44 (0) 1525 376974,
email reply@encapsulite.co.uk or visit www.encapsulite.co.uk