

MT-360 IP67

Waterproof Lighting

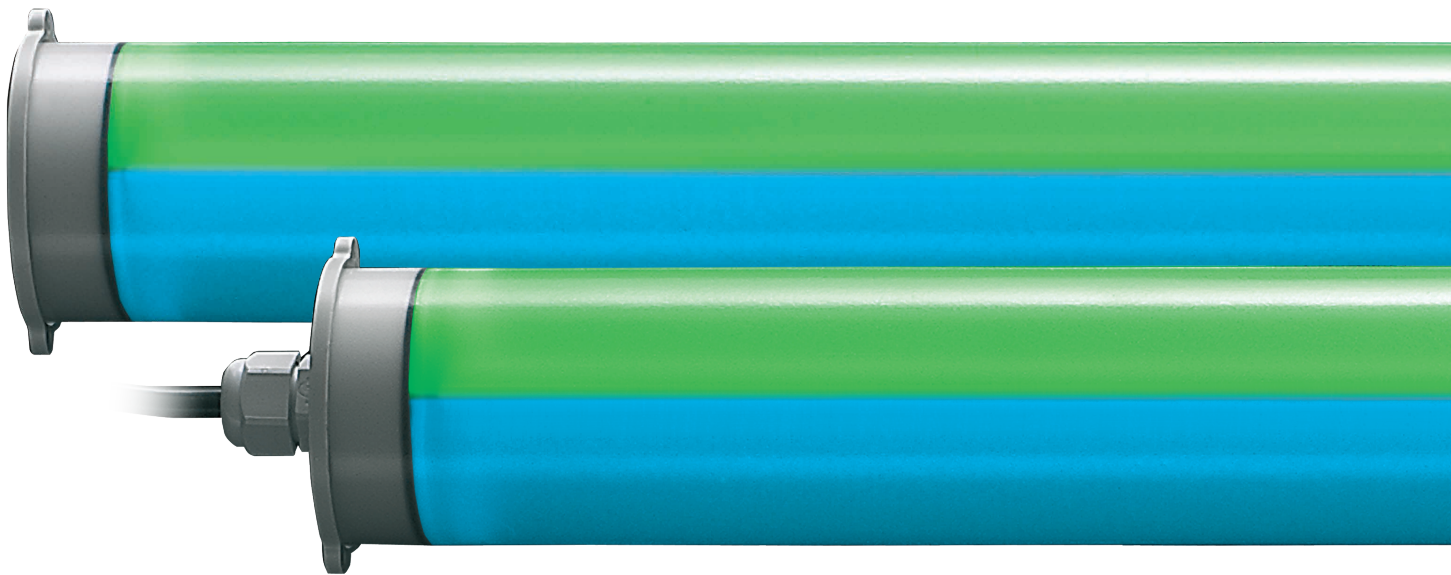


Specification

- **Outer case** Polycarbonate
- **Reflector** White pre coat steel
- **Lamp holder** T5 G5
- **Includes** Col 840 lamp
Mounting brackets
- **Options** Thru wired
Plug & Go
DDP coloured sleeves
Suspension kit
Black end caps
Stainless steel mounting clips
Dimmable +10°C only

CE	230v 50Hz
IP67	Class I
F	T5 G5
EEL A	850 GWT
TUBE Ø70mm	CAP Ø75mm

PRODUCT CODE	14W	21W	28W	35W
MT70-360 Single switched = Both lamps switched separately	X	✓	✓	✓
MT360 Twin switched = Both lamps switched together	✓	✓	✓	✓
MT360 DALI Twin = Both lamps controlled together	✓	✓	✓	✓
MT360 DALI Single = Each lamp controlled separately	X	X	✓	✓
Overall length including cable gland one end mm	665	965	1265	1565



Clear cover

PART NR	WATTAGE	LENGTH mm	CIRCUIT POWER W
MT360 14w	14w	665-695	31
MT360 21w	21w	965-995	45
MT360 28w	28w	1265-1295	60
MT360 35w	35w	1565-1595	75

Satin cover

PART NR	WATTAGE	LENGTH mm	Lm/W	CIRCUIT POWER W
MT360 14w SC	14w	665-695	59.7	31
MT360 21w SC	21w	965-995	64.9	45
MT360 28w SC	28w	1265-1295	69.1	60
MT360 35w SC	35w	1565-1595	71.3	75

Add 1-10v DALI or DSI to product code for dimmable option +10°C only.

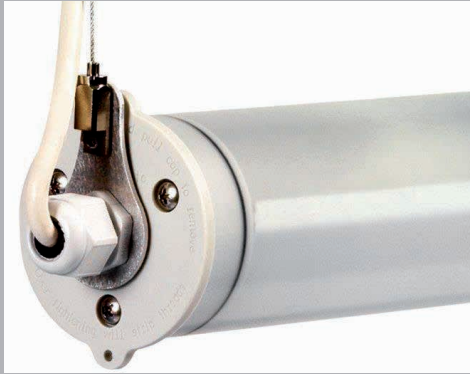
Add ST Standard, TW Thru wired, or P&G plug and go.

TW and P&G are 30mm longer.

Need something changed to suit your project?
If we can, we will. Please ask!

MT-360 IP67

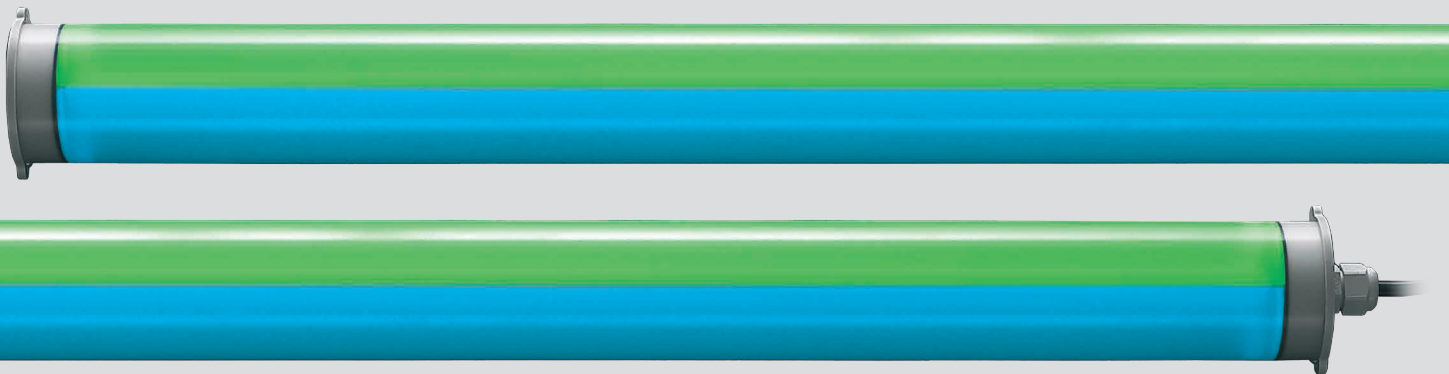
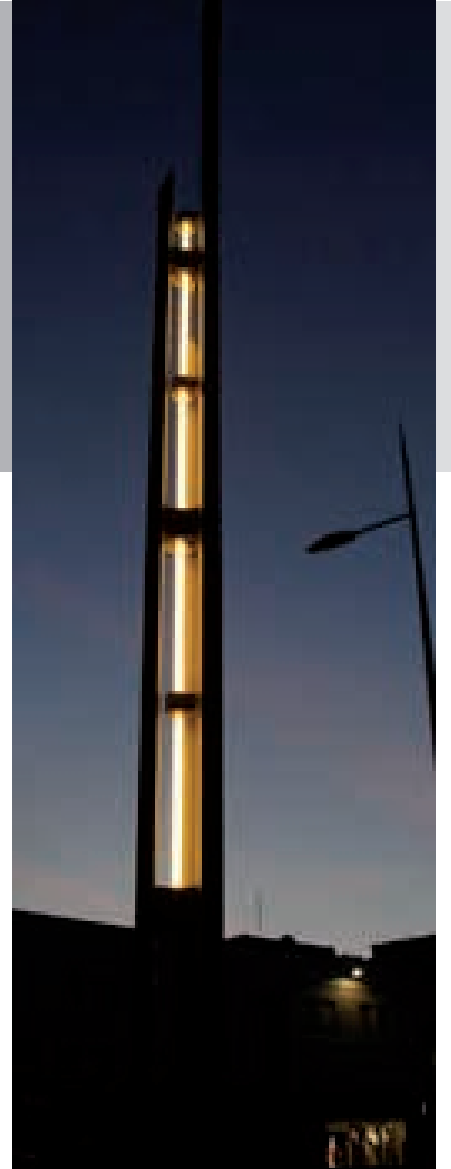
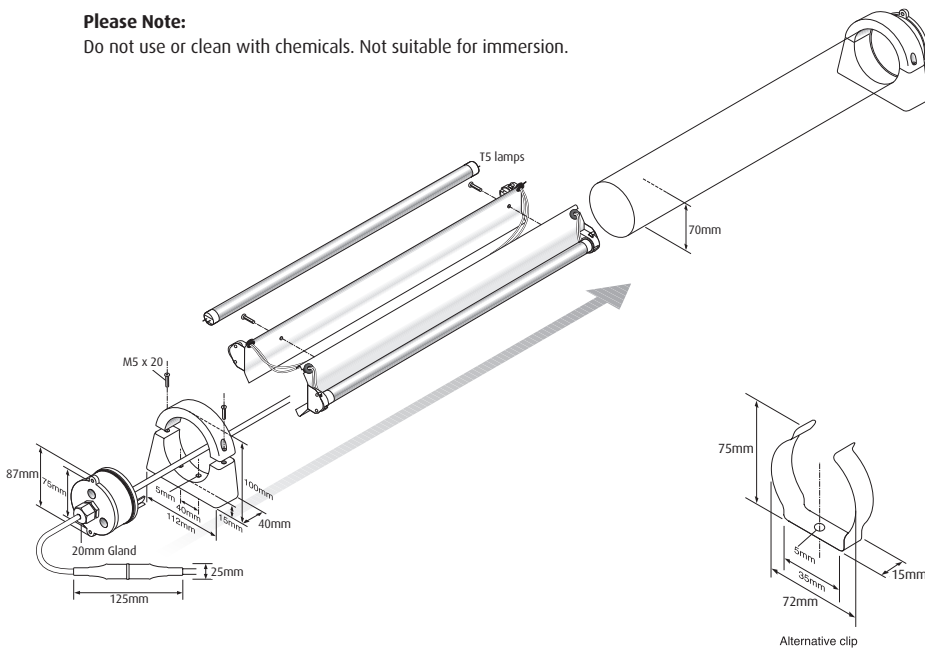
Waterproof Lighting



Suspension Kit option



Please Note:
Do not use or clean with chemicals. Not suitable for immersion.



For further information or options, call us on **01525 376974**, email reply@encapsulite.co.uk or visit www.encapsulite.co.uk

FLUORESCENT LIGHTING

MT-360 IP67

Waterproof Lighting

encapsulite
ILLUMINATING BY DESIGN



For further information or options, call to us on **01525 376974**,
email **reply@encapsulite.co.uk** or visit **www.encapsulite.co.uk**