

MT360 IP67

Suspended/Surface

encapsulite

ILLUMINATING BY DESIGN



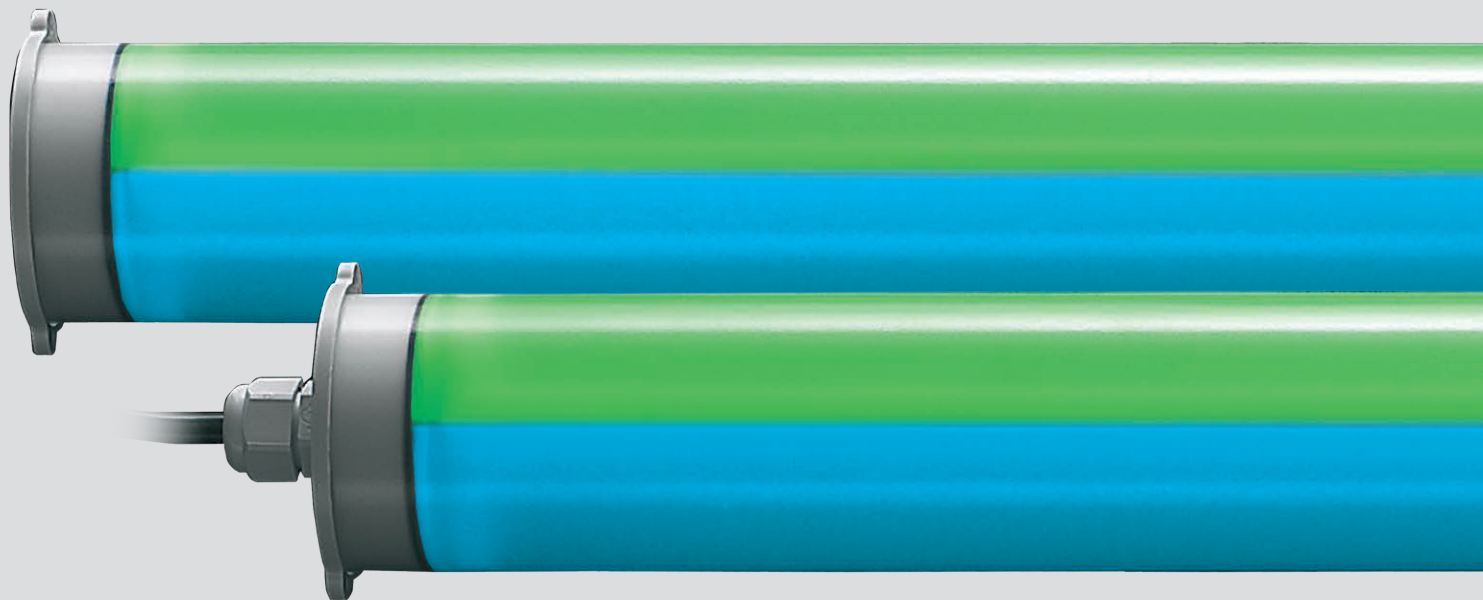
Tube \varnothing 70mm



Cap \varnothing 75mm



Light output 360°



Tubular Diffused Fluorescent light.

The MT360 IP67 is a slim fluorescent lit tubular design that can be surface mounted with stainless steel or polycarbonate clamps. The 70mm tube offers a 360° light distribution through its polycarbonate opal or clear diffuser.

The MT360 IP67 is an incredibly versatile linear lighting solution that can also be fitted with coloured DDP sleeves.

70mm diameter, (75mm \varnothing end caps) the MT360 IP67 makes use of a T5 fluorescent lamp offering switched, DALI, DSI or 1-10v Dimming options for a controllable level of light output.

Not suitable for permanent immersion, do not dim in temperatures below +10°C use LED version.



Suspension

MT360 IP67

Suspended/Surface

Light source information

T5 Fluorescent Lamp, Electronic ECG
2700k 3000k 4000k 6000k.

Design

Surface mounted, can be suspended.

Polycarbonate clear or opal diffuser.

IP67 rated as standard.

Dimming

Non-dimmable as standard.

DALI, DSI or 1-10v available.

Installation

Two suspension points for fully adjustable
horizontal suspension.

Surface mounting with clamps.

Installation Instructions available on
request.

Optics

Opal or clear diffuser.

Photometric data available.

Miscellaneous

3hr Emergency with or without DALI
monitoring.

If you would like to change something,
please ask.

Mounting options



Suspension



Plastic clamp



SS clamp

MT360 IP67 SUSPENDED/SURFACE



230v
50Hz

T5 G5

Class I

IP67



EEL
A

850
GWT

Clear cover

PART NR	WATTAGE	LENGTH mm	CIRCUIT POWER W
MT360 14w	14w	665-695	31
MT360 21w	21w	965-995	45
MT360 28w	28w	1265-1295	60
MT360 35w	35w	1565-1595	75

Satin cover

PART NR	WATTAGE	LENGTH mm	Lm/W	CIRCUIT POWER W
MT360 14w SC	14w	665-695	59.7	31
MT360 21w SC	21w	965-995	64.9	45
MT360 28w SC	28w	1265-1295	69.1	60
MT360 35w SC	35w	1565-1595	71.3	75

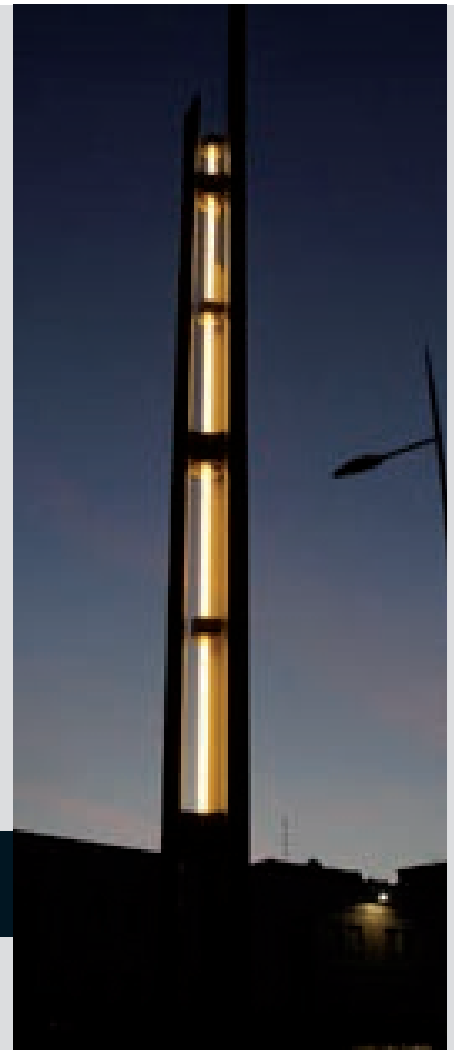
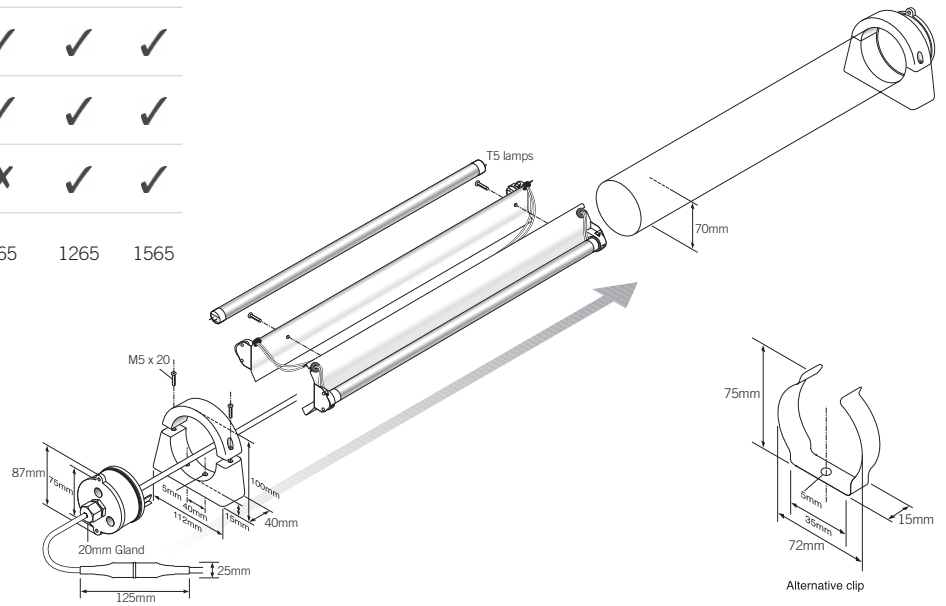
Add 1-10v, DALI or DSI to product code for dimmable option +10°C ta only. Add ST Standard, TW Thru wired, or P&G plug and go. TW and P&G are 30mm longer.

For further information or options, call **+44 (0) 1525 376974**,
email reply@encapsulite.co.uk or visit www.encapsulite.co.uk

MT360 IP67

Suspended/Surface

PRODUCT CODE	14W	21W	28W	35W
MT70-360 Single switched = Both lamps switched separately	X	✓	✓	✓
MT360 Twin switched = Both lamps switched together	✓	✓	✓	✓
MT360 DALI Twin = Both lamps controlled together	✓	✓	✓	✓
MT360 DALI Single = Each lamp controlled separately	X	X	✓	✓
Overall length including cable gland one end mm	665	965	1265	1565



For further information or options, call +44 (0) 1525 376974, email reply@encapsulite.co.uk or visit www.encapsulite.co.uk