

# UV400 Sleeves

Museums, Archives and Libraries

**encapsulite**

ILLUMINATING BY DESIGN



T5 Tube  $\varnothing$  17.5mm    T8 Tube  $\varnothing$  27.5mm

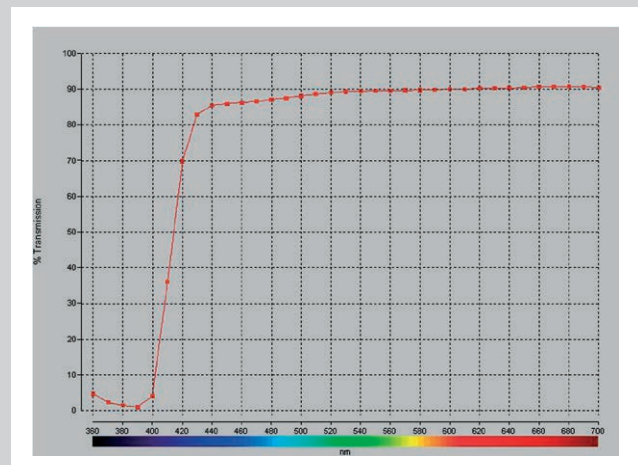


T5 UV400



T8 UV400

- This product from Encapsulite was developed to filter out harmful UV from fluorescent tubes while still retaining good lamp colour temperature, importantly the new UV400 avoids interfering with the fitment of louvers and diffusers often used in conjunction with the UV filter.
- Cuts out all UV up to 400 nanometers.
- Conforms to BS 5454.

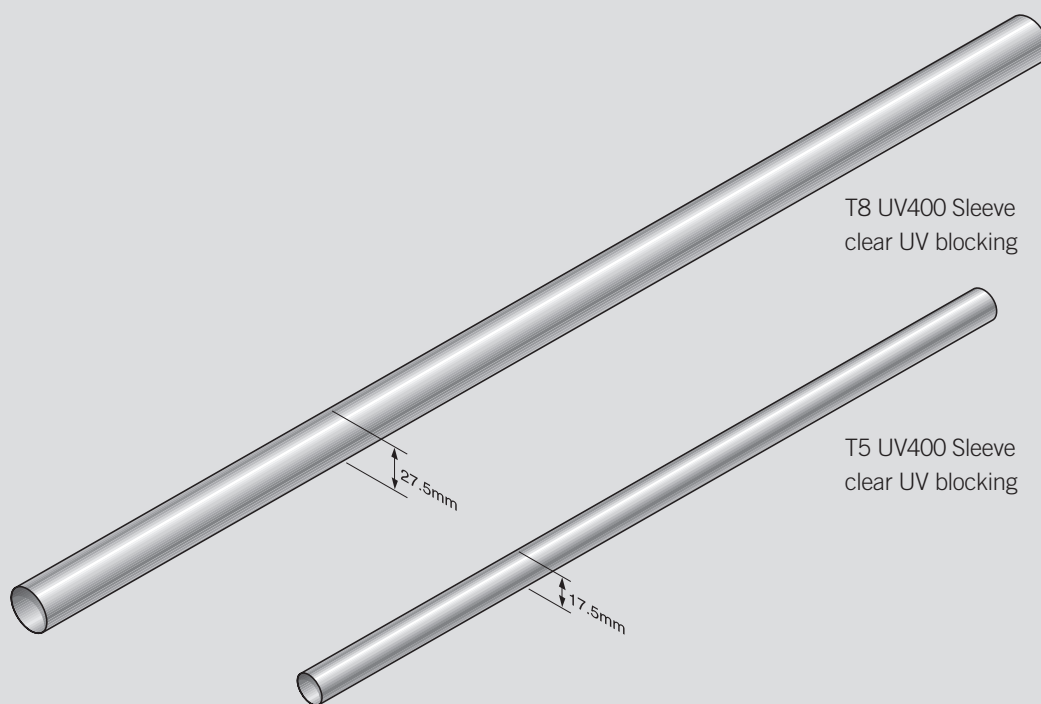


# UV400 Sleeves

Museums, Archives and Libraries



ILLUMINATING BY DESIGN



**Please Note:** Do not use or clean with chemicals. Not for use submerged in water.

## Specification

- Lamp Specific sizes to fit  
T5 and T8 lamps  
Not suitable for HO lamp
- Construction Polycarbonate tubing extruded with UV inhibitor, 0.45mm wall x 27.5mm for T8 and 17.5mm for T5
- Temperature -90 – +120°C
- Standards BS5454 1989  
CE, WEEE and ROHS compliant



**T5 TUBE**  
ø17.5mm

**T8 TUBE**  
ø27.5mm

## UV400 SLEEVES

### UV400 T5

PART No	LENGTH mm
UV400 T5 6w	230
UV400 T5 8w	300
UV400 T5 13w	525
UV400 T5 14w	549
UV400 T5 21w	849
UV400 T5 28w	1149
UV400 T5 35w	1449

### UV400 T8

PART No	LENGTH mm
UV400 T5 15w	450
UV400 T5 18w	600
UV400 T5 30w	900
UV400 T5 38w	1050
UV400 T5 36w	1200
UV400 T5 58w	1500
UV400 T5 70w	1800